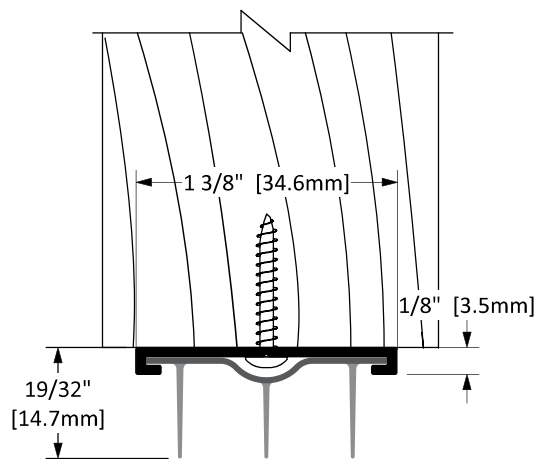


CT-548

NEW



STD

Finish Options

Mill Finish

Standard

Screw Options



Screw Type: **N**
#6 X 3/4" Stainless Steel Truss Head,
Robertson Drive, Type A Screws

Optional



Screw Type: **O**
#6 X 3/4" Stainless Steel Button
Head, Tamper-Resistant Torx
Drive, Type A Screws

Operation	Door Shoe
Features	Mill Finish Extruded Aluminum with Santoprene Co-Extrusion
Application	Ideal for Residential, Commercial & Industrial

Customer Name:

Job No./Name:

Date:

Provided By:

Notes: